

EAGLE

3 - WAY GLOBE CONTROL VALVE | TG - SERIES |



ISO-9001 REGISTERED FIRM
Det Norske Veritas BV, NETHERLANDS

FEATURES

TG-Series 3-Way Globe Type Control Valve can be used to control the circulation of water, oil, sea water or other liquids in heating or cooling application involving heat exchanger by -pass control.

- Cage trim provides easy maintenance. All trim parts can be removed from the top of the valve.
- Cage - guided trim for increased valve stability and trim life
- Spring located teflon stem packing eliminates the need for periodic adjustment.
- Lower maintenance cost through less down-time.
No need to remove valve from line to replace trim.
- Lower stem friction for increased stability.

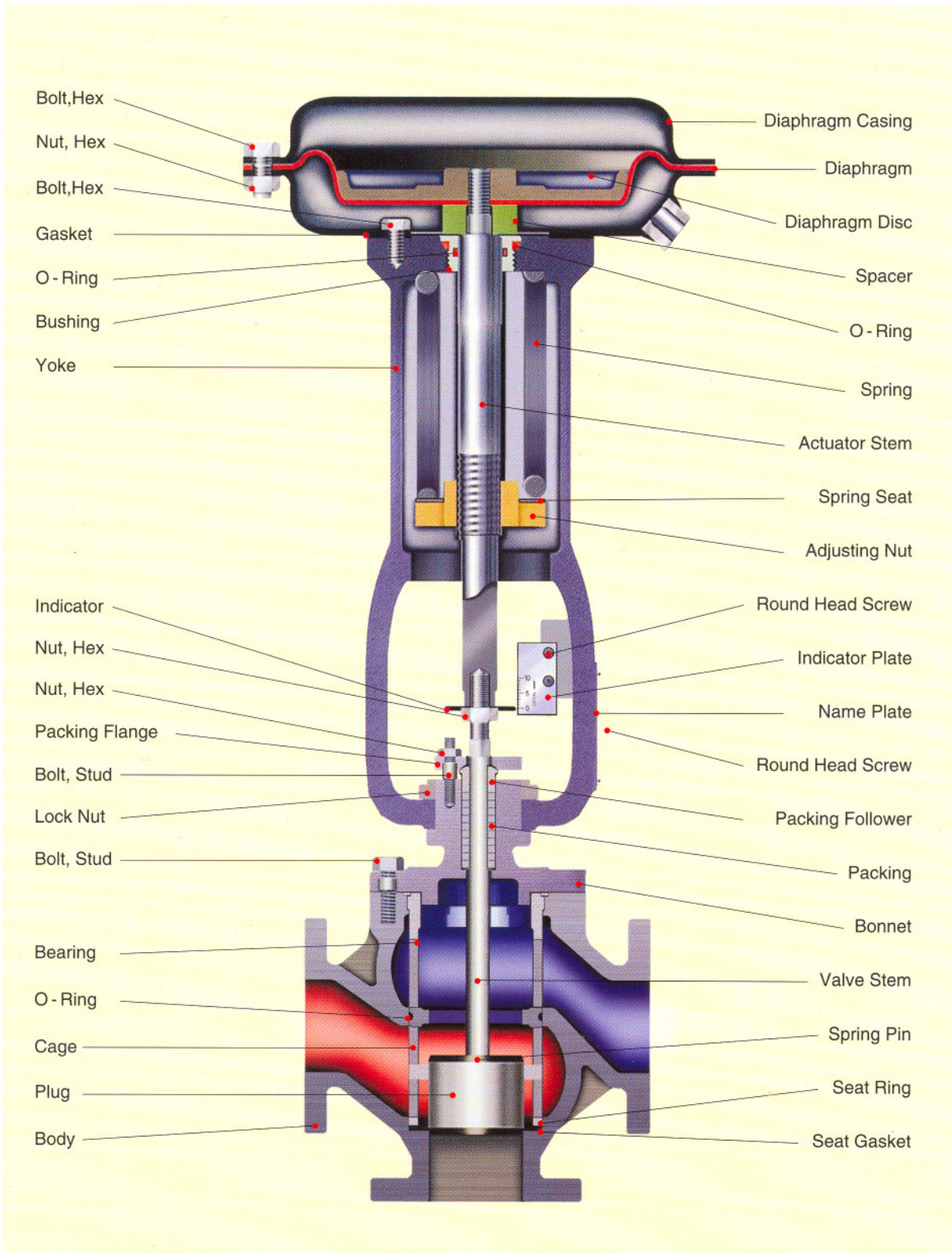
GENERAL SPECIFICATION

Valve Body Type & Style	3-Way Globe Type (Cage Guided or Top & Bottom Guided)
Pressure Rating	ANSI 125~300 or JIS 5~20K
Valve Size	1" ~ 14" (25 ~ 350 mm)
Temperature Range	- 32 ~ 212°F (0 ~ 100°C)
Body Material	ASTM A126 CL.B (FC20) ASTM A216 Gr.WCB (SCPH2) ASTM A536 Gr. 65-45-12 (FCD45) ASTM B584 F C905 or C836 (BC3 or BC6)
Flow Coefficient (Rated Cv)	9 to 1890
Flow Characteristics	Linear
Leakage Class	ANSI IV
Rangeability	30 : 1
Spring Range	3 ~ 15 psi (0.2 ~ 1.0 kg/cm ²) / 6 ~ 30 psi (0.4 ~ 2.0 kg/cm ²)

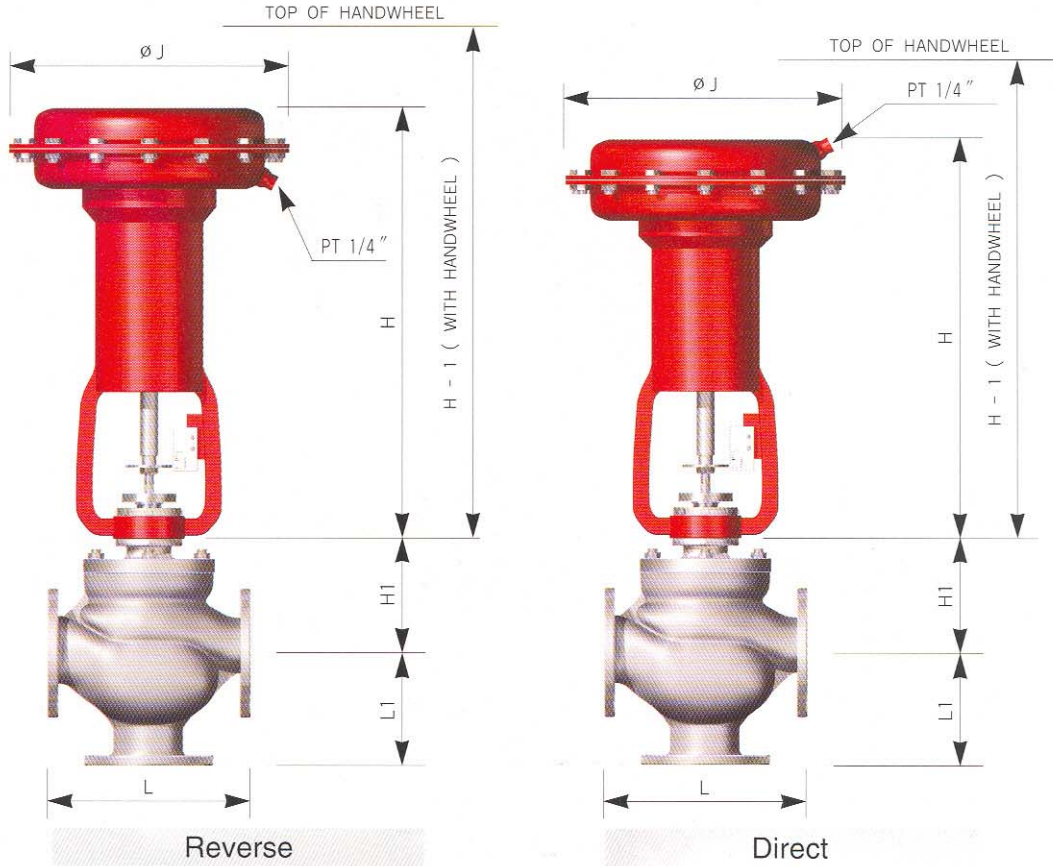
FLOW COEFFICIENTS (Cv)

Valve Size inches (mm)	1 (25)	1.5 (40)	2 (50)	2.5 (65)	3 (80)	4 (100)	5 (125)	6 (150)	8 (200)	10 (250)	12 (300)	14 (350)
Cv	9	30	45	63	103	180	260	390	625	945	1,400	1,890

COMPONENTS



DIMENSION



JIS 5K, 10K, 16K, 20K VALVE DIMENSION

NOMINAL BORE		L	L1	H1
mm	inch			
40	1 1/2	230 (9.06)	115 (4.53)	125 (4.92)
50	2	262 (10.3)	131 (5.16)	125 (4.93)
65	2 1/2	276 (10.9)	138 (5.43)	142 (5.59)
80	3	296 (11.7)	148 (5.83)	168 (6.61)
100	4	324 (12.8)	162 (6.38)	200 (7.87)
125	5	428 (16.9)	300 (11.8)	216 (8.50)
150	6	488 (19.2)	340 (13.4)	236 (9.29)
200	8	580 (22.8)	375 (14.8)	278 (10.9)
250	10	750 (29.5)	430 (16.9)	322 (12.7)
300	12	868 (34.2)	480 (18.9)	368 (14.5)
350	14	910 (35.8)	530 (20.9)	410 (16.1)

DIAPHRAGM ACTUATOR DIMENSION

ACTUATOR SIZE		55 in ²	85 in ²	135 in ²	180 in ²
REVERSE TYPE	ØJ	304 (12.0)	379 (14.9)	466 (18.3)	524 (20.6)
	H	482 (19.0)	608 (23.9)	740 (29.1)	860 (33.9)
	H-1	669 (26.3)	822 (32.4)	1029 (40.5)	1148 (45.2)
DIRECT TYPE	ØJ	304 (12.0)	379 (14.9)	446 (18.3)	524 (20.6)
	H	400 (15.7)	511 (20.1)	627 (24.7)	702 (27.6)
	H-1	646 (25.4)	757 (29.8)	925 (36.4)	1056 (41.6)

